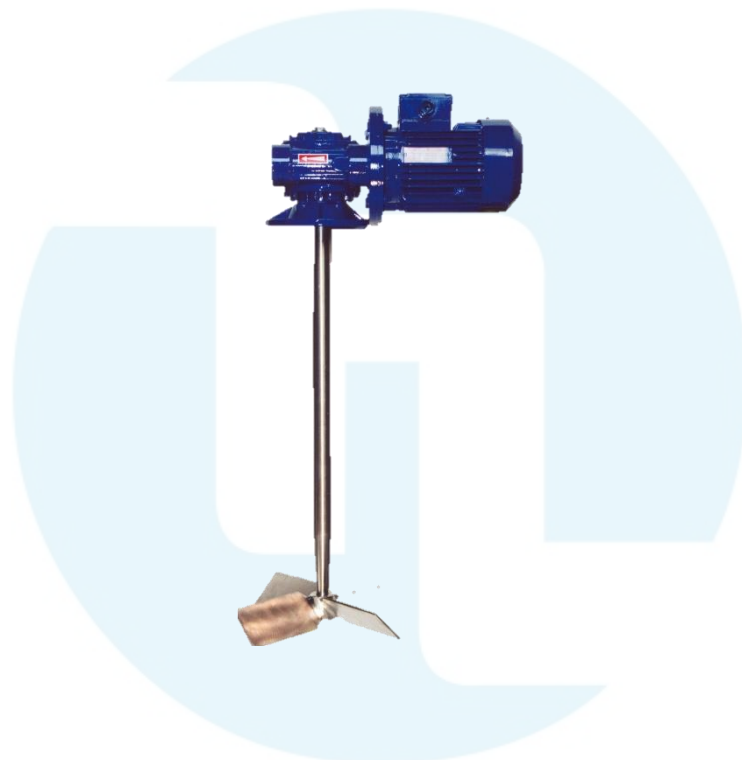




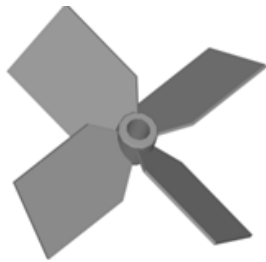
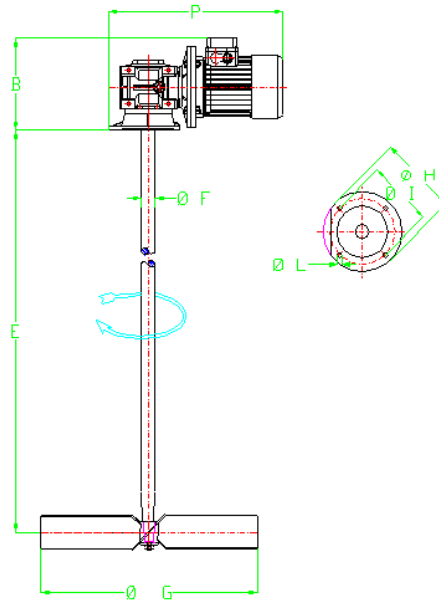
AGRV SERIES MIXERS

Slow mixers specifically designed for flocculant/neutralizer and flocculant solution preparation. The mixer shaft is directly coupled with the worm gearbox, with the system supplied with shaft and 4 x 45° impeller blades. Three-phase motors supplied as standard with 1-phase on request for power supply lower than 0.37 kW. AISI 304L as standard.



TECHNICAL FEATURES AND DIMENSIONS

Model	Dimension										
	Kw	rpm	B	E	F	G	H	I	L	P	kg
AGRV 018-140/70 A2	0,18	140	140	700	25	200	140	115	4 X 9	320	12
AGRV 025-90/80 A2	0,25	90	180	800	30	300	160	130	4 X 10	360	17
AGRV 037-90/100 A2	0,37	90	180	1000	30	350	160	130	4 X 10	360	20
AGRV 055-90/120 A2	0,55	90	220	1200	35	400	200	165	4 X 12	420	27
AGRV 075-90/150 A2	0,75	90	220	1500	35	500	200	165	4 X 12	420	32
AGRV 110-90/150 A2	1,1	90	250	1500	35	550	200	165	4 X 12	500	37
AGRV 150-70/150 A2	1,5	70	250	1500	40	700	200	165	4 X 12	520	55



Marine Propeller 4 Blades 45°

Girante Marina 4 Pale 45°