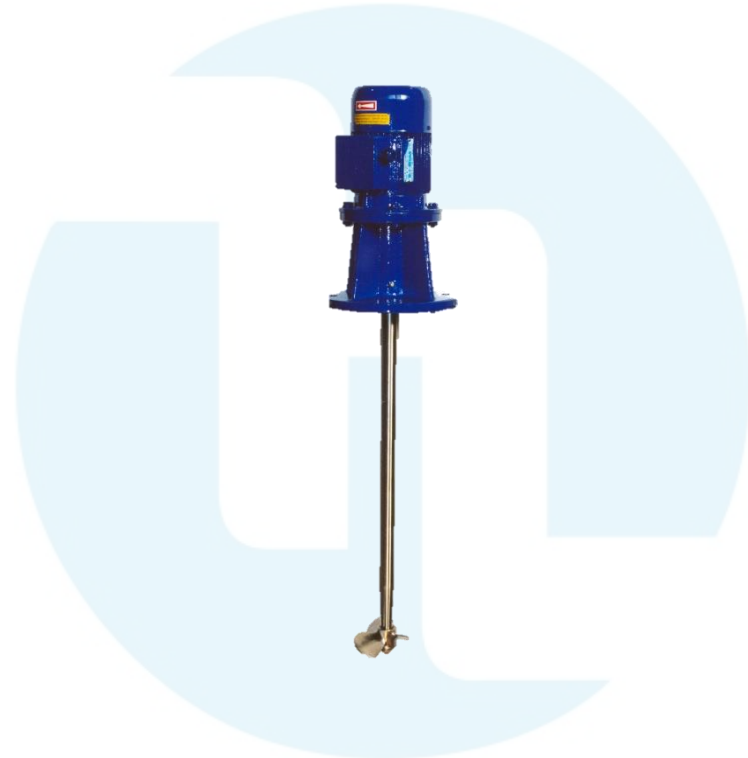


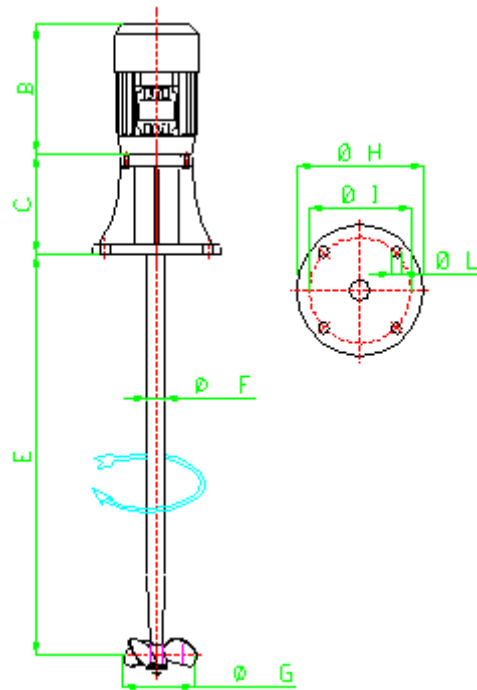
AGV SERIES MIXERS

Swift mixers with rigid coupling via 4-6-8 poles motors equipped with a radial bearing support and seal ring. These mixers are particularly suitable for the mixing or dissolution of products with low viscosity in small/medium tanks. The three-blade impeller, inspired by marine propellers, is made of AISI 316L as standard, while the shaft is made of AISI304L, offering resistance and compatibility with different types of chemicals. Maximum rating of 1.5 kW with 3-phase motor with single or double stuffing boxes.



TECHNICAL FEATURES AND DIMENSIONS

Model	Dimension										
	kw	rpm	B	C	E**	F	G	H	I	L	Kg
AGV 1400 (4 poles)	0,18	1400	180	120	600	25	100	160	130	4 X 14	15
AGV 1400 (4 poles)	0,25	1400	200	120	800	25	110	160	130	4 X 14	16
AGV 1400 (4 poles)	0,37	1400	200	120	800	25	120	160	130	4 X 14	18
AGV 1400 (4 poles)	0,55	1400	240	165	900	30	140	210	170	4 X 18	22
AGV 1400 (4 poles)	0,75	1400	240	165	1000	30	150	210	170	4 X 18	24
AGV 1400 (4 poles)	1,1	1400	260	200	1250	35	160	265	225	8 X 18	28
AGV 1400 (4 poles)	1,5	1400	280	200	1500	35	170	265	225	8 X 18	30
Model	Dimension										
	Kw	Rpm	B	C	E**	F	G	H	I	L	KG
AGV 900 (6 poles)	0,18	900	200	120	600	25	110	160	130	4 X 14	15
AGV 900 (6 poles)	0,25	900	200	120	800	25	130	160	130	4 X 14	16
AGV 900 (6 poles)	0,37	900	240	165	800	30	140	210	170	4 X 18	22
AGV 900 (6 poles)	0,55	900	240	165	900	30	150	210	170	4 X 18	24
AGV 900 (6 poles)	0,75	900	260	165	1000	30	160	210	170	4 X 18	28
AGV 900 (6 poles)	1,1	900	280	200	1250	35	170	265	225	8 X 18	30
AGV 900 (6 poles)	1,5	900	300	200	1500	35	190	265	225	8 X 18	36
Model	Dimension										
	Kw	Rpm	B	C	E**	F	G	H	I	L	KG
AGV 700 (8 poles)	0,25	700	240	165	800	30	160	210	170	4 X 18	22
AGV 700 (8 poles)	0,37	700	260	165	800	30	180	210	170	4 X 18	26
AGV 700 (8 poles)	0,55	700	280	165	1000	30	200	210	170	4 X 18	28
AGV 700 (8 poles)	0,75	700	280	200	1000	35	220	265	225	8 X 18	30
AGV 700 (8 poles)	1,1	700	280	200	1200	35	240	265	225	8 X 18	36
AGV 700 (8 poles)	1,5	700	300	300	1500	40	260	320	280	8 X 18	42



Marine Propeller 3 Blades 35°

Girante Marina 3 Pale 35°